

## s\_thyristor\_bridge\_3ph\_1 (subcircuit)

### Attributes

```
inputs: g1 g2 g3 g4 g5 g6
outputs:
e_left_nodes:
e_right_nodes: a b c
e_top_nodes: p
e_bottom_nodes: m
b_left_nodes:
b_right_nodes:
b_top_nodes:
b_bottom_nodes:
parameters:
  cap: 10p
  r_off: 10M
  r_on: 1m
  v_on: 0
  x_high: 1
```

### Description

s\_thyristor\_bridge\_3ph\_1 is the 3-phase thyristor bridge circuit shown in the figure with the thyristor gate signals being externally supplied.

The thyristor parameters are specified by `r_on`, `r_off`, `v_on`, `x_high` (see the documentation for `thyristor.ebe`). `cap` specifies each of the three capacitances shown in the figure.

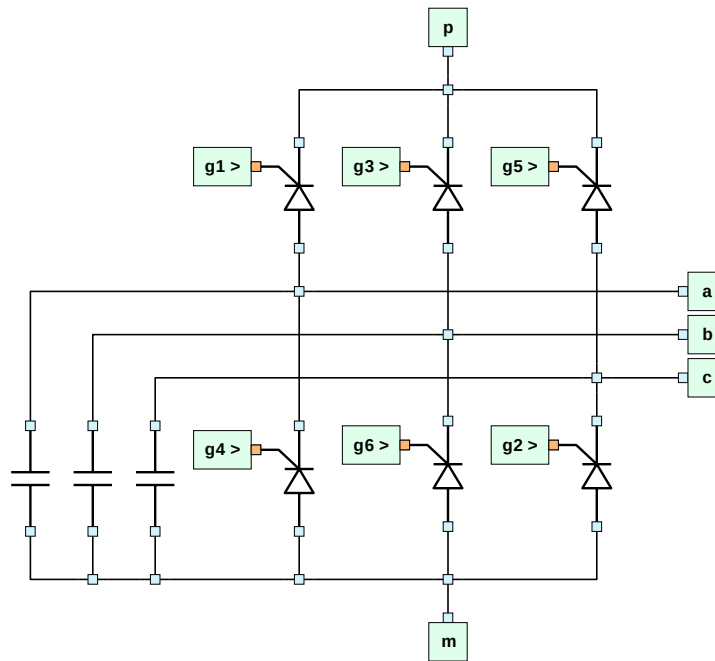


Figure 1: Schematic diagram of s\_thyristor\_bridge\_3ph\_1.