

s_full_bridge_2A (subcircuit)

Attributes

```
inputs:  
outputs:  
e_left_nodes:  
e_right_nodes:  
e_top_nodes: a  
e_bottom_nodes: b  
b_left_nodes: G  
b_right_nodes:  
b_top_nodes:  
b_bottom_nodes:  
parameters:  
  Vdc: 200  
  r_off: 10M  
  r_on: 1m
```

Description

s_full_bridge_2 is a full bridge circuit shown in the figure, with an input bus port representing the gate pulses g1, g2, g3, g4. Note that the DC voltage source is also included in this sub-circuit, with its voltage specified by the parameter Vdc. s_full_bridge_2A is similar to s_full_bridge_1 except that the switch-diode pairs do not have series RC snubbers in parallel.

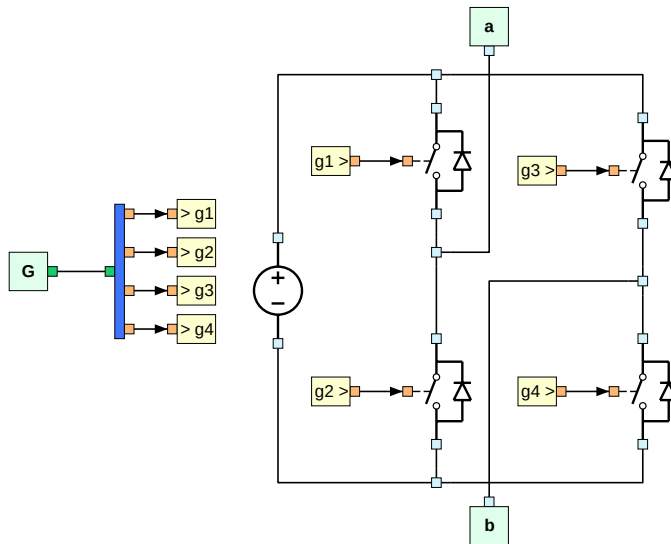


Figure 1: Schematic diagram of s_full_bridge_2.