

# s\_meter\_3ph\_1 (subcircuit)

## Attributes

```
inputs:  
outputs:  
e_left_nodes: pa pb pc  
e_right_nodes: na nb nc  
e_top_nodes:  
e_bottom_nodes: n  
b_left_nodes:  
b_right_nodes:  
b_top_nodes: v_phase v_line i  
b_bottom_nodes:  
parameters:
```

## Description

s\_meter\_3ph\_1 is used to measure phase voltages, line voltages, and currents in a 3-phase circuit (see figure). These quantities are made available as flow-graph bus ports and also as output variables.

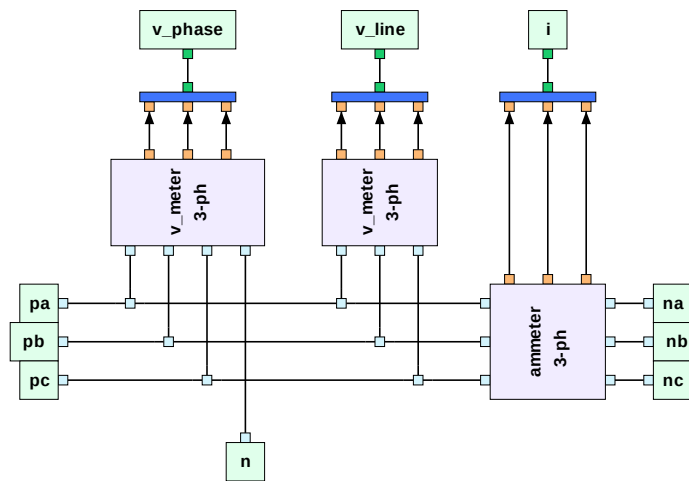


Figure 1: Schematic diagram of s\_meter\_3ph\_1.