

s_vsi_3ph_2 (subcircuit)

Attributes

```
inputs: g1 g2 g3 g4 g5 g6
outputs:
e_left_nodes:
e_right_nodes: a b c
e_top_nodes: p
e_bottom_nodes: m
b_left_nodes:
b_right_nodes:
b_top_nodes:
b_bottom_nodes:
parameters:
  r_off: 10M
  r_on: 1m
  x_high: 1
```

Description

s_vsi_3ph_2 is the 3-phase voltage source inverter circuit shown in the figure with the gate signals being externally supplied. The switch-diode parameters are specified by r_on, r_off, x_high (see the documentation for s_switch_diode_2.ebe).

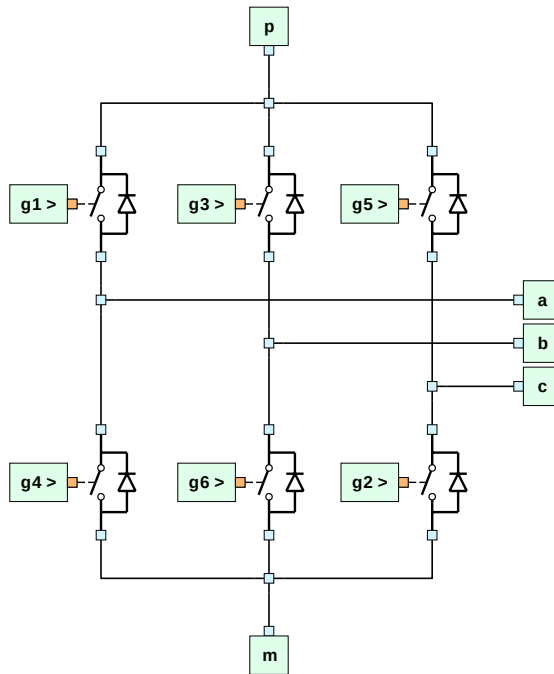


Figure 1: Schematic diagram of s_vsi_3ph_2.