

s_xfmr_level1_1ph_1.2 (subcircuit)

Attributes

```
inputs:
outputs:
e_left_nodes:
e_right_nodes: s1_n s2_p
e_top_nodes: p_p s1_p
e_bottom_nodes: p_n s2_n
b_left_nodes:
b_right_nodes:
b_top_nodes:
b_bottom_nodes:
parameters:
  ip0: 0
  is10: 0
  is20: 0
  p_ll: 1n
  p_rs: 1m
  p_turns: 1
  r_large: 10M
  s1_ll: 1n
  s1_rs: 1m
  s1_turns: 1
  s2_ll: 1n
  s2_rs: 1m
  s2_turns: 1
```

Description

s_xfmr_level1_1ph_1.2 is a single-phase transformer model with one primary winding and two secondary windings. As shown in the figure, its core is the basic transformer model `xfmr_level0_1ph_1.2.ebe`, labelled as `xfmr1`. In addition, series resistances and inductances are included.

Large resistances (`r_large`) are included in parallel with each winding of `xfmr1` to avoid singular matrix situations.

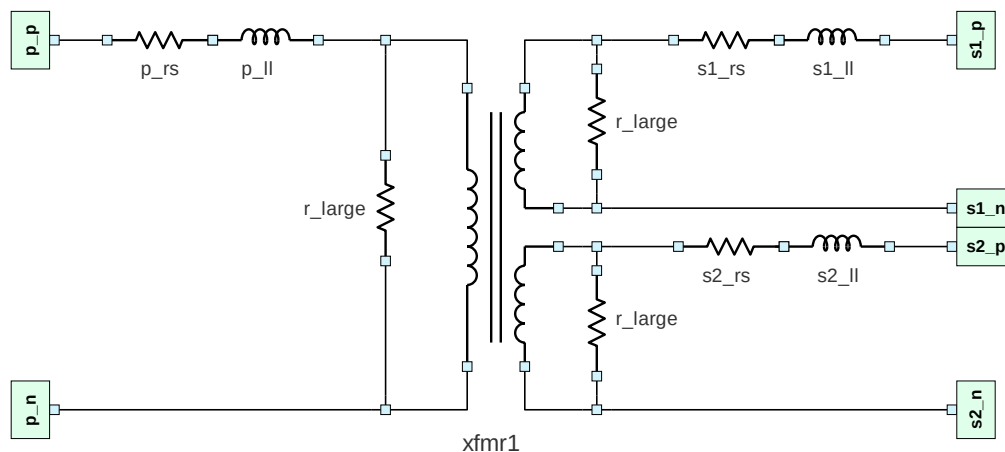


Figure 1: Schematic diagram of s_xfmr_level1_1ph_1.2.