

s_full_bridge_1 (subcircuit)

Attributes

```
inputs: g1 g2 g3 g4
outputs:
e_left_nodes:
e_right_nodes:
e_top_nodes: a
e_bottom_nodes: b
b_left_nodes:
b_right_nodes:
b_top_nodes:
b_bottom_nodes:
parameters:
  Vdc: 200
  c_snubber: 10p
  r_off: 10M
  r_on: 1m
  r_snubber: 0.1
```

Description

s_full_bridge_1 is a full bridge circuit shown in the figure. Note that the DC voltage source is also included in this sub-circuit, with its voltage specified by the parameter V_{dc} . Each switch-diode block has a series RC snubber in parallel, with parameter values specified by $r_{snubber}$ and $c_{snubber}$.

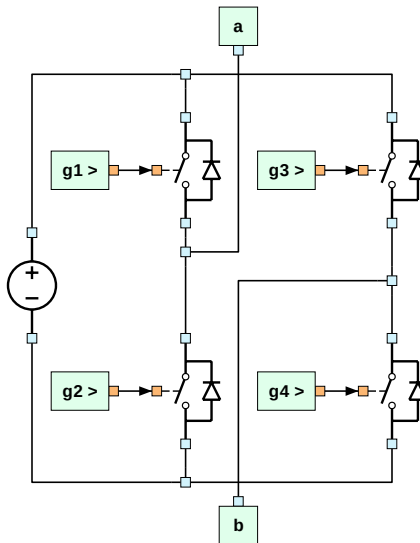


Figure 1: Schematic diagram of s_full_bridge_1.