

## s\_full\_bridge\_2 (subcircuit)

### Attributes

```
inputs: g1 g2 g3 g4
outputs:
e_left_nodes:
e_right_nodes:
e_top_nodes: a
e_bottom_nodes: b
b_left_nodes:
b_right_nodes:
b_top_nodes:
b_bottom_nodes:
parameters:
  Vdc: 200
  r_off: 10M
  r_on: 1m
```

### Description

s\_full\_bridge\_2 is a full bridge circuit shown in the figure. Note that the DC voltage source is also included in this sub-circuit, with its voltage specified by the parameter Vdc. s\_full\_bridge\_2 is similar to s\_full\_bridge\_1 except that the switch-diode pairs do not have series RC snubbers in parallel.

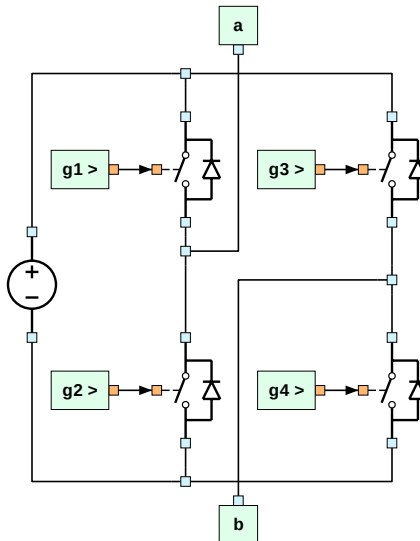


Figure 1: Schematic diagram of s\_full\_bridge\_2.